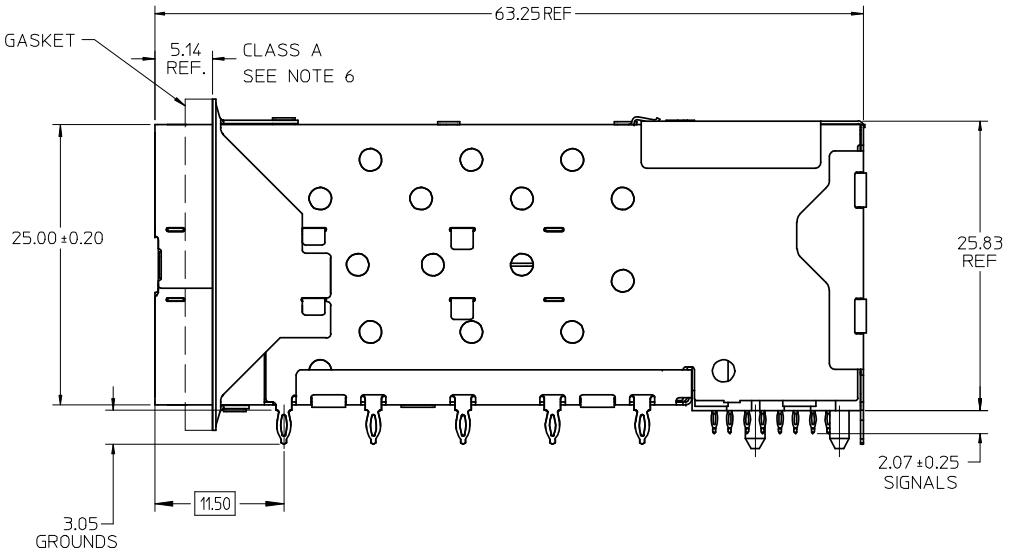
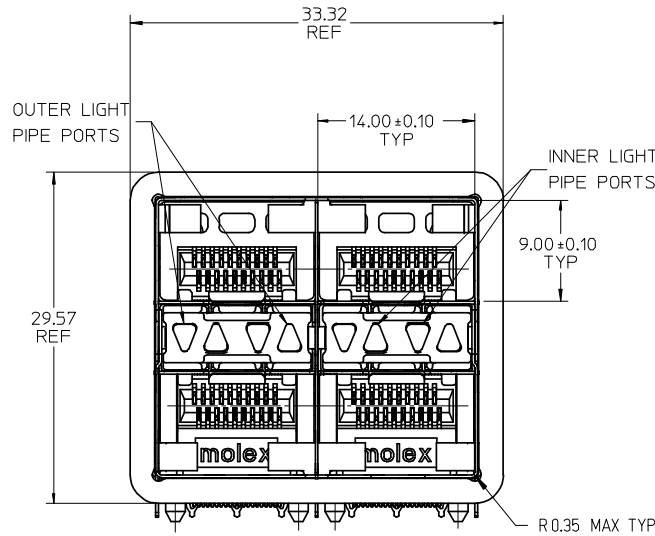


PART NUMBER	DESCRIPTION	VIEW	COMPLIANT TAIL PLATING	CAGE PLATING
760910001	4 LIGHT PORTS	SEE PG 2	TIN / LEAD	N/A
760910002	INNER 2 PORTS	SEE PG 2	TIN / LEAD	N/A
760910003	OUTER 2 PORTS	SEE PG 2	TIN / LEAD	N/A
760915001	4 LIGHT PORTS	SEE PG 2	TIN	N/A
760915002	INNER 2 PORTS	SEE PG 2	TIN	N/A
760915003	OUTER 2 PORTS	SEE PG 2	TIN	N/A



NOTES

1. MATERIAL:

- CAGE: NICKEL SILVER, THICKNESS: 0.25mm
- CAGE FLANGE: STAINLESS STEEL
- EMI GASKET: CONDUCTIVE POLYMER
- CONNECTOR HOUSING: GLASS FILLED HIGH TEMP PLASTIC, 94 V-0, COLOR BLACK
- OVERMOLDED TERMINALS HOUSING: GLASS FILLED HIGH TEMP PLASTIC, 94 V-0, COLOR: BLACK
- TERMINALS: TIN BRASS
- LIGHT PIPES: POLYCARBONITE, 94 V-0, COLOR: CLEAR
- LIGHT PIPE HOUSING: ZINC

2. FINISH:

- LIGHT PIPE HOUSING: 150 MICRONS NICKEL OVER 150 MICRONS COPPER
- TERMINAL: CONTACT AREA: 0.76 MICRONS MIN, HARD GOLD OVER 1.27 MICRONS MIN. NICKEL.
- COMPLIANT TAIL - TIN/LEAD OPTION: 0.76 - 1.52 MICRONS 90/10 TIN/LEAD OVER 0.76 - 1.52 MICRONS NICKEL
- COMPLIANT TAIL - TIN OPTION: 0.76 - 1.52 MICRONS TIN OVER 0.76 - 1.52 MICRONS NICKEL

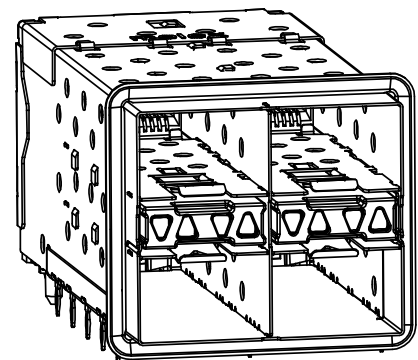
3. REFER TO PS-75310-001 PROTECT SPEC FOR ALL ELECTRICAL, MECHANICAL, AND ENVIRONMENTAL SPECIFICATIONS.

4. LIGHT PIPE PAD LAYOUT IS FOR 0805 LOW-PROFILE LED PACKAGE, FOR OTHER RECOMMENDED LAYOUTS REFER TO MOLEX'S REPORT TS-75310-001.

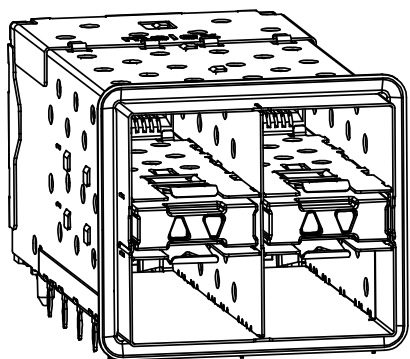
5. REFER TO PK-75714-001 FOR ALL PACKAGING SPECIFICATIONS.

6. ALL EXTERIOR SURFACES TO BE A CLASS 'B' SURFACE EXCEPT THE UNDER SIDE OF THE CAGE WHERE THE PCB WOULD BE LOCATED AND AS NOTED. THE SURFACES TO CONFORM TO THE MOLEX COSMETIC DOC PS-45499-002.

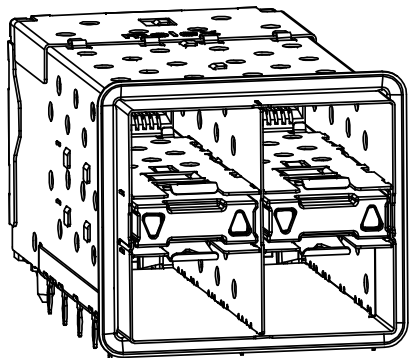
REVISED DIMENSIONS EC NO: UCP2008-1003 DRWN: LONG CHKD: APPR: MBANKS	DESCRIPTION 2008/01/11 2008/01/11 2008/01/11	QUALITY SYMBOLS ▽=0 ▽=0 ▽=0	GENERAL TOLERANCES (UNLESS SPECIFIED)		DIMENSION STYLE MM ONLY		SCALE 3:1	DESIGN UNITS METRIC	THIRD ANGLE PROJECTION	
			mm	INCH	DRAWN BY JJANTELEZ10	DATE 01-18-2007	TITLE STACKED SFP+ 2X2 ASSY WITH ELASTOMERIC GASKET AND LIGHTPIPES			
			4 PLACES ± --- ± ---		CHECKED BY MSANDBERG	DATE 01-18-2007			MOLEX INCORPORATED	
			3 PLACES ± --- ± ---		APPROVED BY RNELSON	DATE 01-18-2007				
			2 PLACES ± 0.13 ± ---		MATERIAL NO.		DOCUMENT NO. SD-76091-001		SHEET NO. 1 OF 4	
			1 PLACE ± 0.25 ± ---		DRAFT WHERE APPLICABLE MUST REMAIN WITHIN DIMENSIONS		SEE CHART			
			ANGULAR ± 5 °		THIS DRAWING CONTAINS INFORMATION THAT IS PROPRIETARY TO MOLEX INCORPORATED AND SHOULD NOT BE USED WITHOUT WRITTEN PERMISSION					



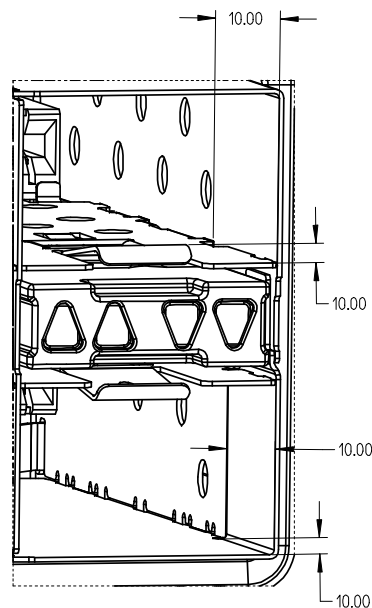
760910001 & 760915001  
WITH INNER & OUTER LIGHT PIPE PORTS



760910002 & 760915002  
WITH INNER LIGHT PIPE PORTS

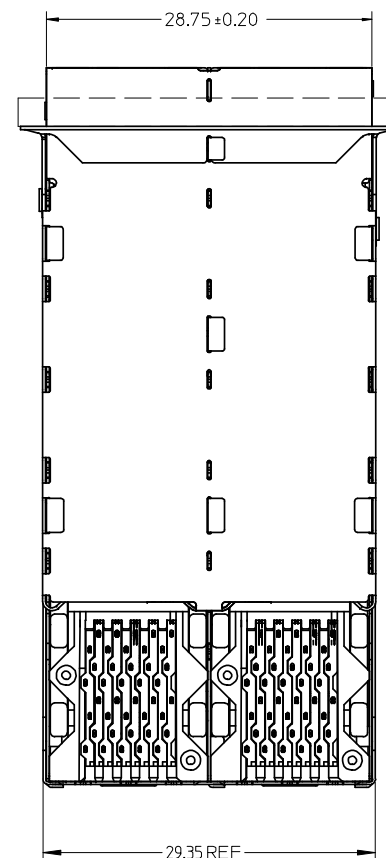


760910003 & 760915003  
WITH OUTER LIGHT PIPE PORTS

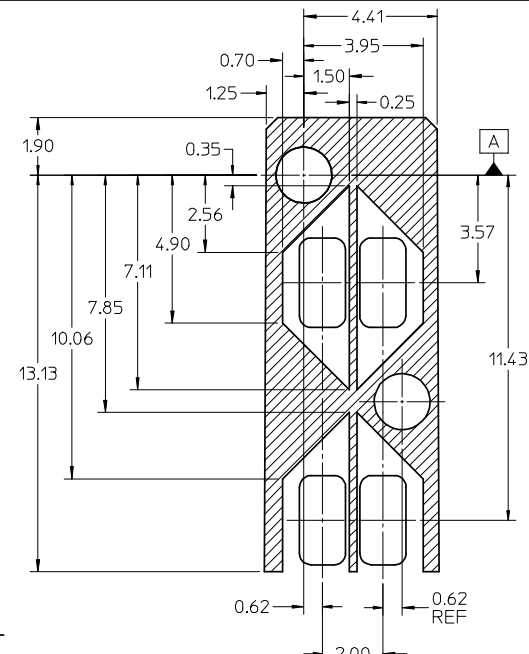
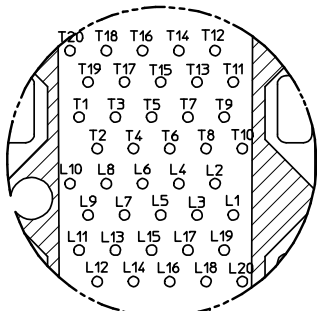


PORT DETAIL

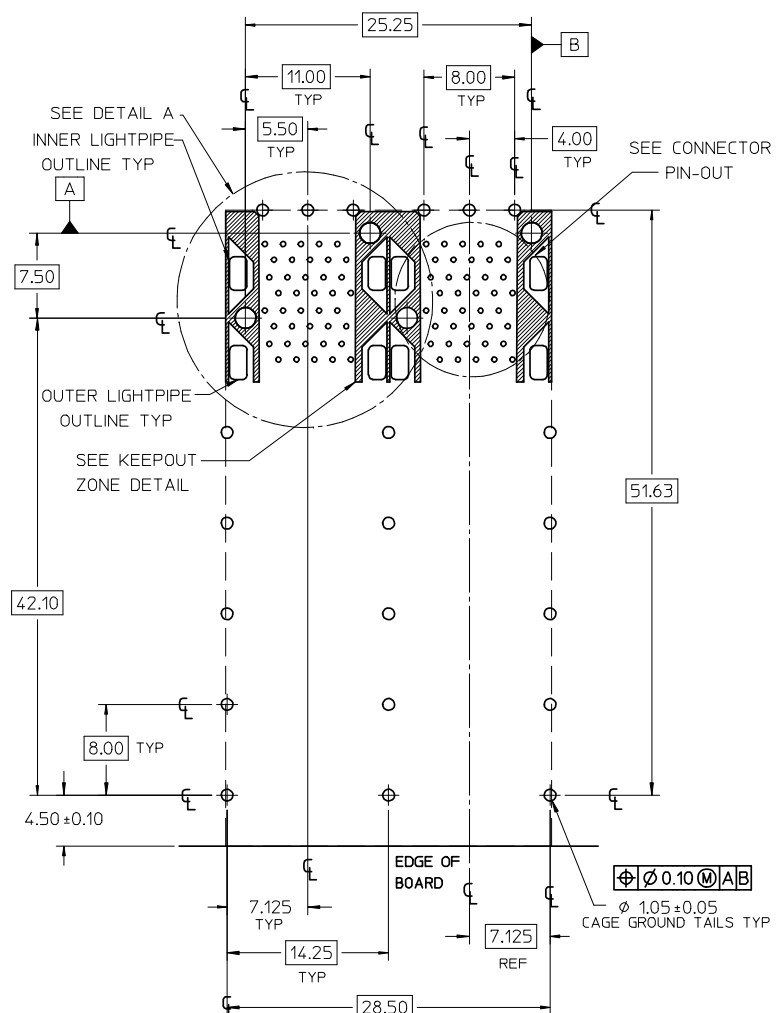
10.00mm AREA SETBACK IN CAGE IS TO BE FREE OF ANY HOLES, DIMPLES, SEAMS OR ANY OTHER FEATURE.  
(4 SIDES PER PORT)



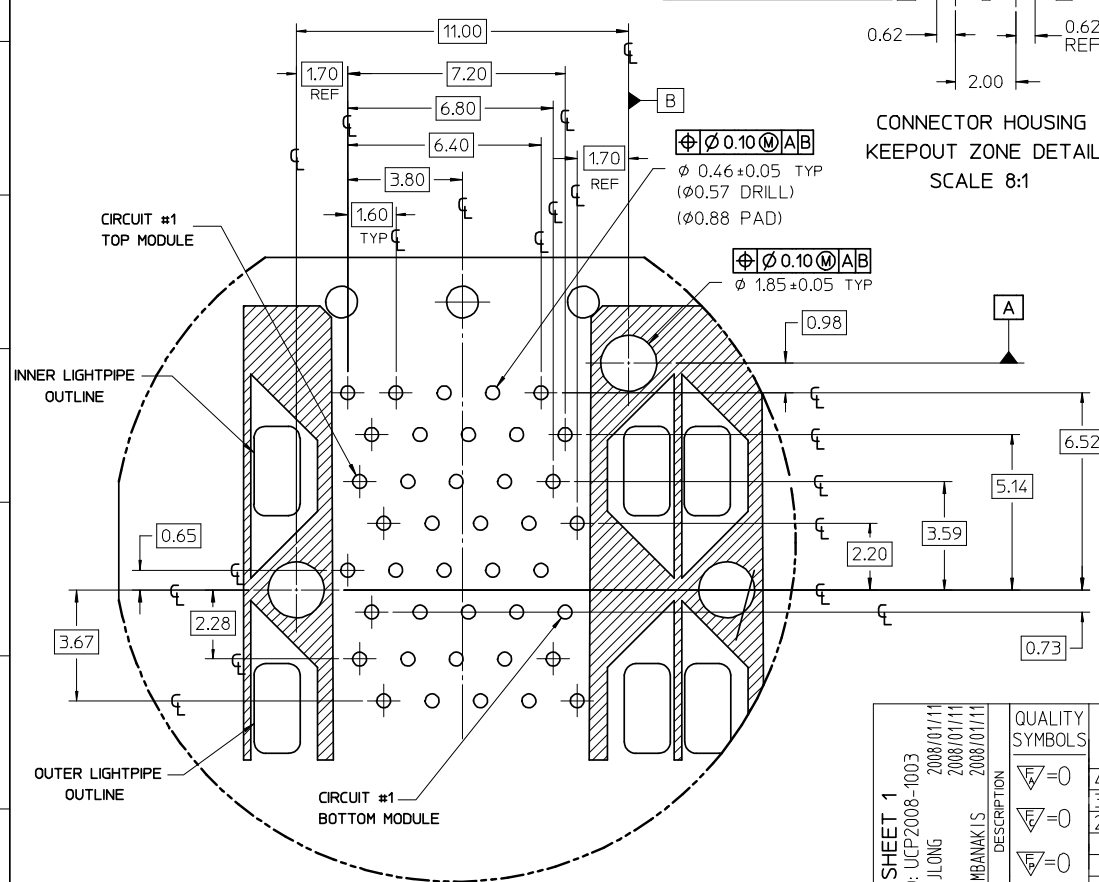
SEE SHEET 1 EC NO: UCP2008-1003 DRWN: JLONG 2008/01/11 CHKD: 2008/01/11 APPR: MBANAKIS 2008/01/11	QUALITY SYMBOLS ▽=0 ▽=0 ▽=0	GENERAL TOLERANCES (UNLESS SPECIFIED)		DIMENSION STYLE <b>MM ONLY</b>	SCALE <b>3:1</b>	DESIGN UNITS <b>METRIC</b>	THIRD ANGLE PROJECTION	
		4 PLACES ± --- ± ---	3 PLACES ± --- ± ---	DRAWN BY JJANTELEZIO	DATE 01-18-2007	TITLE <b>STACKED SFP+ 2X2 ASSY WITH ELASTOMERIC GASKET AND LIGHTPIPES</b>		
		2 PLACES ± 0.13 ± ---	1 PLACE ± 0.25 ± ---	CHECKED BY MSANDBERG	DATE 01-18-2007	MOLEX INCORPORATED		
		ANGULAR ± 5 °		APPROVED BY RNELSON	DATE 01-18-2007	MATERIAL NO. <b>SEE CHART</b>	DOCUMENT NO. <b>SD-76091-001</b>	SHEET NO. <b>2 OF 4</b>
DRAFT WHERE APPLICABLE MUST REMAIN WITHIN DIMENSIONS		SIZE <b>C</b>		THIS DRAWING CONTAINS INFORMATION THAT IS PROPRIETARY TO MOLEX INCORPORATED AND SHOULD NOT BE USED WITHOUT WRITTEN PERMISSION				



CONNECTOR HOUSING  
KEEPOUT ZONE DETAIL  
SCALE 8:1

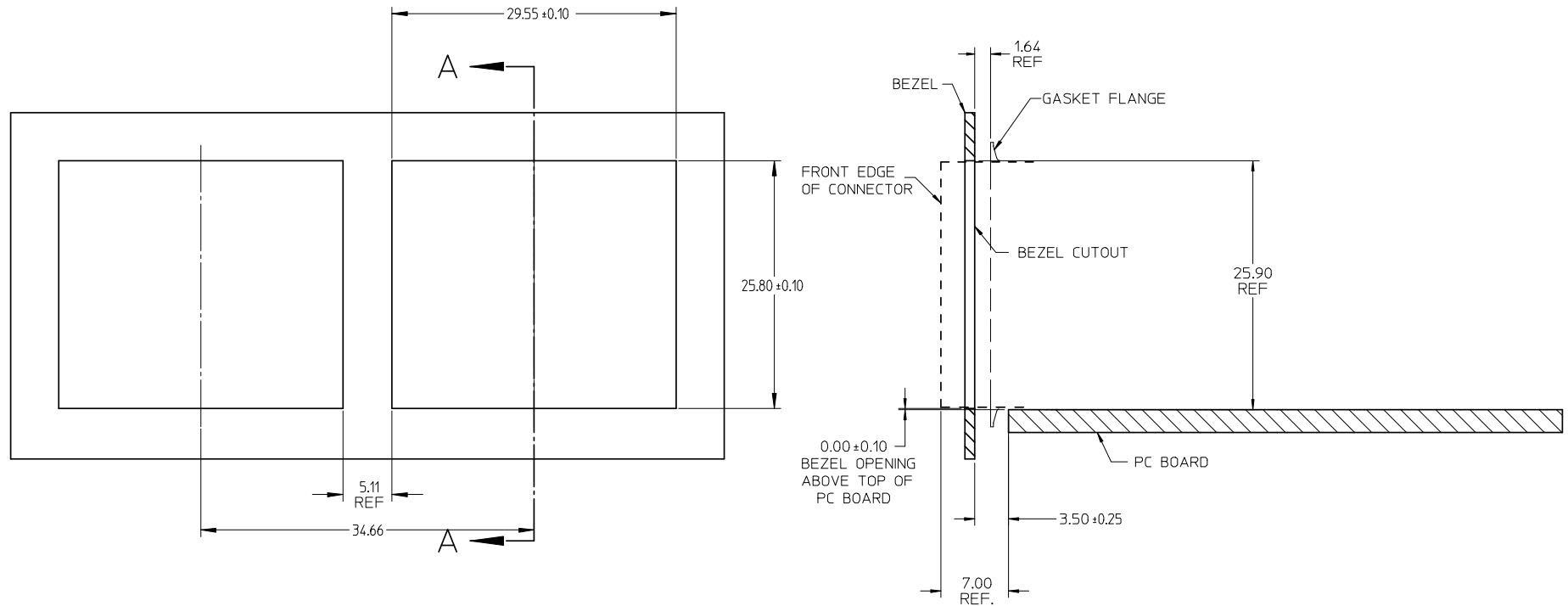


RECOMMENDED PCB LAYOUT - COMPONENT SIDE  
MINIMUM PCB THICKNESS OF 1.575MM  
THE ENTIRE AREA OF THE CONNECTOR FOOTPRINT  
TO BE CONSIDERED THE KEEP OUT AREA INDICATED  
BY THE DASHED LINE



DETAIL A  
SCALE 8:1

SEE SHEET 1 EC NO: UCP2008-1003 DRAWN: JLONG CHKD: 2008/01/11 APPR: MBANAKIS 2008/01/11	DESCRIPTION	QUALITY SYMBOLS	GENERAL TOLERANCES (UNLESS SPECIFIED)	DIMENSION STYLE	SCALE	DESIGN UNITS	THIRD ANGLE PROJECTION
		▽=0 ▽=0 ▽=0	mm INCH	MM ONLY	3:1	METRIC	
REV B			4 PLACES ± --- ± ---	DRAWN BY	DATE	TITLE	SD-76091-001
			3 PLACES ± --- ± ---	JJANTELEZIO	01-18-2007		
			2 PLACES ± 0.13 ± ---	CHECKED BY	DATE	MOLEX INCORPORATED	SHEET NO. 3 OF 4
			1 PLACE ± 0.25 ± ---	MSANDBERG	01-18-2007		
			ANGULAR ± 5 °	APPROVED BY	DATE		
				RNELSON	01-18-2007		
			DRAFT WHERE APPLICABLE MUST REMAIN WITHIN DIMENSIONS	MATERIAL NO.	DOCUMENT NO.		
				SEE CHART			
				SIZE	THIS DRAWING CONTAINS INFORMATION THAT IS PROPRIETARY TO MOLEX INCORPORATED AND SHOULD NOT BE USED WITHOUT WRITTEN PERMISSION		



BEZEL CUT-OUT CENTER SPACING DETAIL  
BEZEL THICKNESS: 0.8 - 2.6

SECTION A-A

SEE SHEET 1 EC NO: UCP2008-1003 DRWN: JLONG 2008/01/11 CHKD: 2008/01/11 APPR: MBANAKIS 2008/01/11	QUALITY SYMBOLS ▽=0 ▽=0 ▽=0	GENERAL TOLERANCES (UNLESS SPECIFIED)		DIMENSION STYLE MM ONLY		SCALE 3:1	DESIGN UNITS METRIC	THIRD ANGLE PROJECTION		
			mm	INCH	DRAWN BY JJANTELEZIO	DATE 01-18-2007	TITLE STACKED SFP+ 2X2 ASSY WITH ELASTOMERIC GASKET AND LIGHTPIPES			
		4 PLACES ± ---	± ---	± ---	CHECKED BY MSANDBERG	DATE 01-18-2007				
		3 PLACES ± ---	± ---	± ---	APPROVED BY RNELSON	DATE 01-18-2007				
			ANGULAR ± 5 °		MATERIAL NO. SEE CHART		DOCUMENT NO. SD-76091-001		SHEET NO. 4 OF 4	
		DRAFT WHERE APPLICABLE MUST REMAIN WITHIN DIMENSIONS		SIZE C		THIS DRAWING CONTAINS INFORMATION THAT IS PROPRIETARY TO MOLEX INCORPORATED AND SHOULD NOT BE USED WITHOUT WRITTEN PERMISSION				